

Chapter 8

Appendix C: *Schematics*

This Appendix has the Schematics for the charger board, the sensor board, the motor controller board, and the analog board.

8.1 Schematic of the Charger Board

This page has the schematic/block diagram of the charger board. (Refer to Figure 8.1).

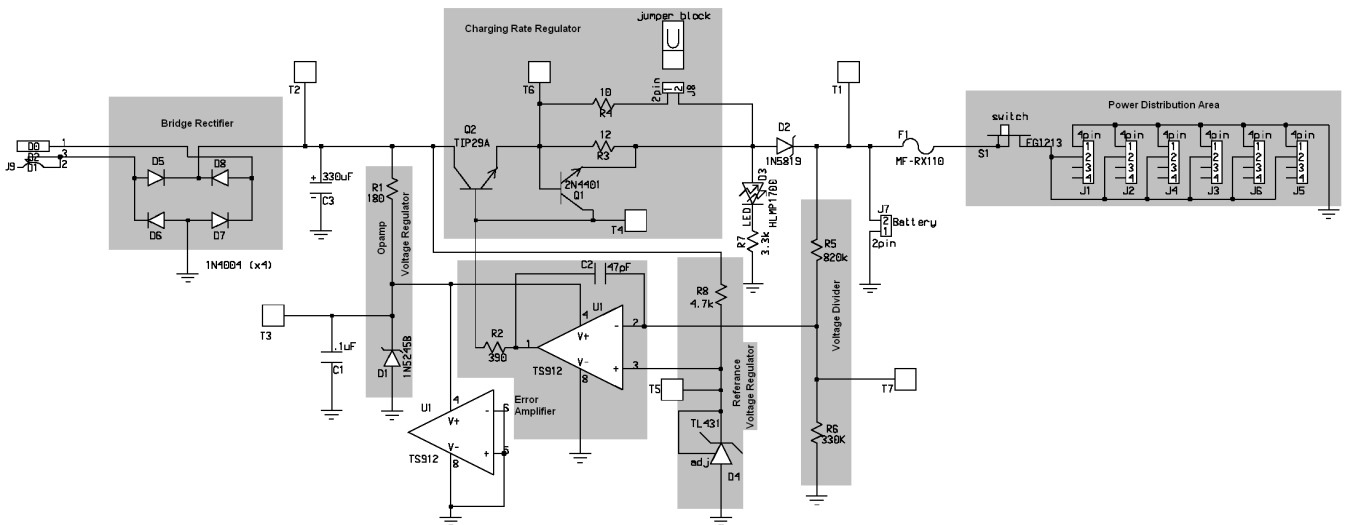


Figure 8.1: Block Diagram/Schematic of the Charger Board

8.2 Schematic of the Sensor Board

This page has the schematic/block diagram of the sensor board. (Refer to Figure 8.2).

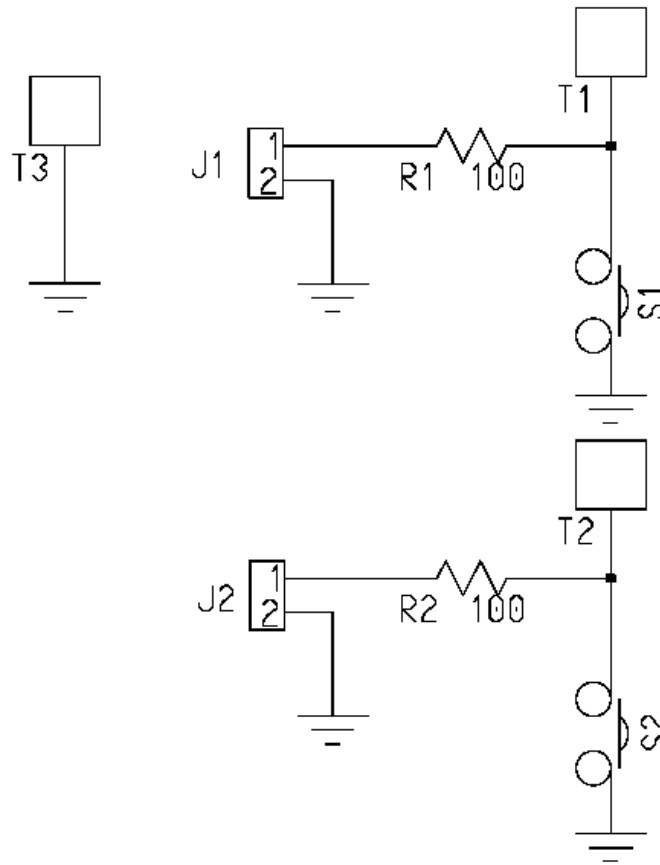


Figure 8.2: Schematic of the Sensor Board

8.3 Schematic of the Motor Controller Board

This page has the schematic/block diagram of the motor controller board. (Refer to Figure 8.3).

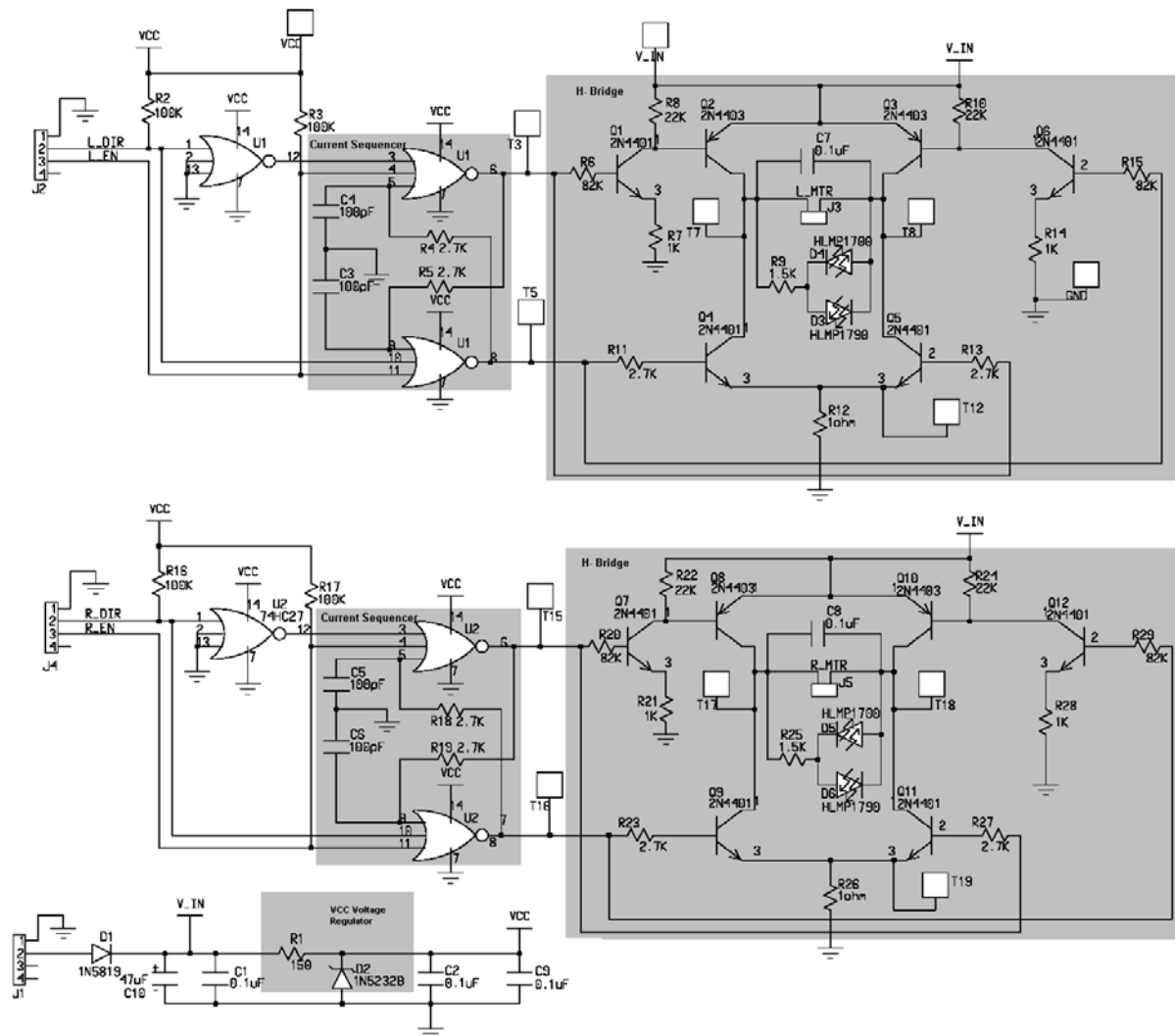


Figure 8.3: Block Diagram/Schematic of the Motor Controller Board

8.4 Schematic of the Analog Board

This page has the schematic/block diagram of the analog board. (Refer to Figure 8.4).

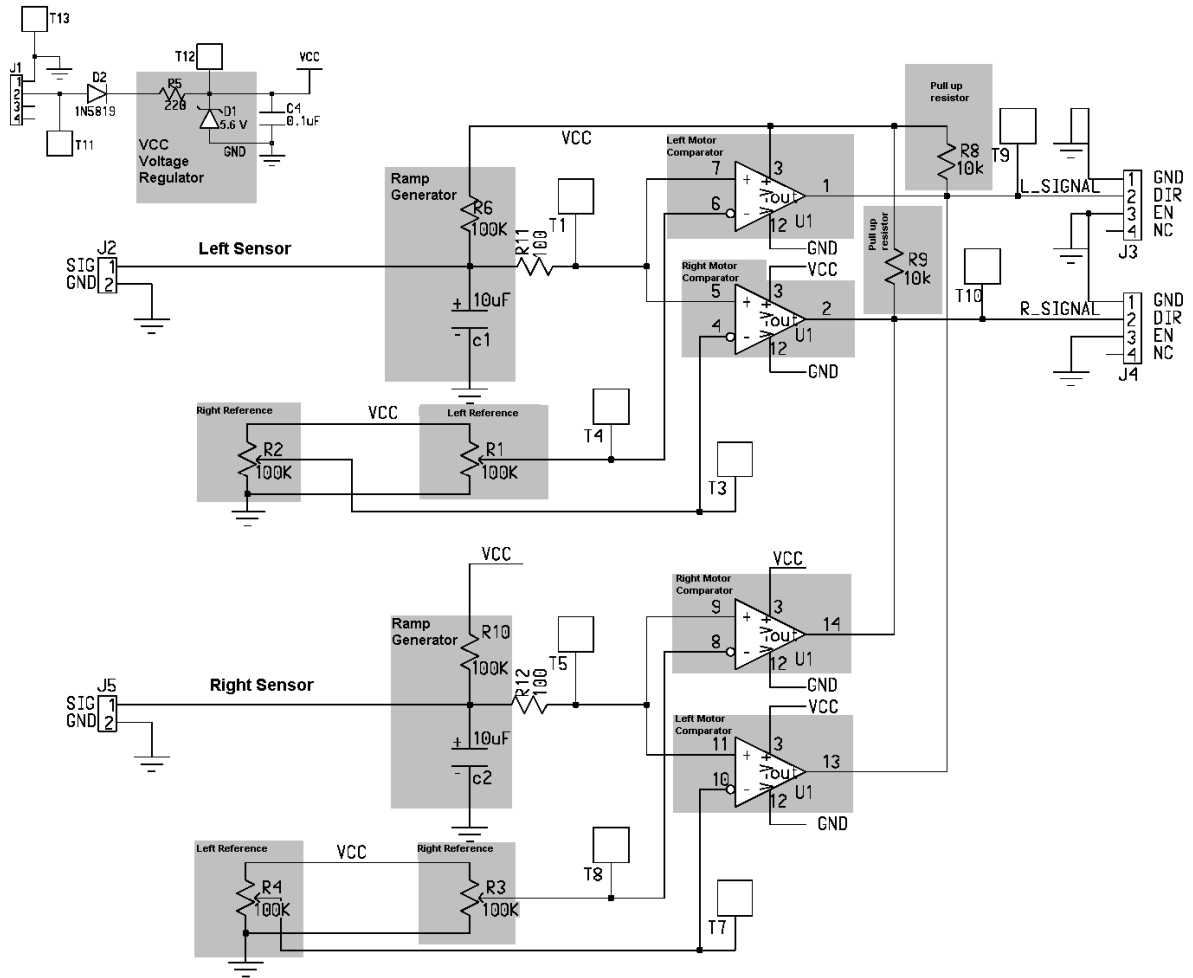


Figure 8.4: Block Diagram/Schematic of the Analog

