

6

5

4

3

2

1

D

D

C

C

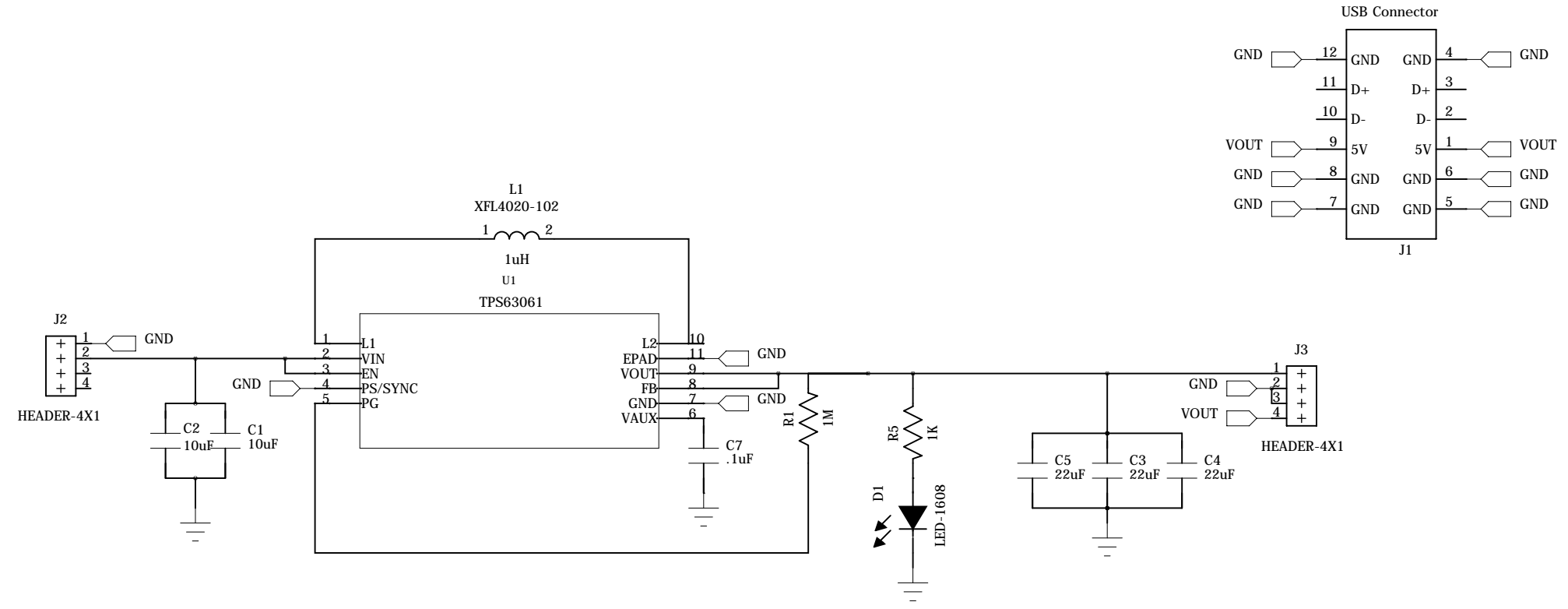
B

B

A

A

REVISION RECORD			
LTR	ECO NO:	APPROVED:	DATE:



COMPANY:				Tekbots			
TITLE:				usb_pwr.0			
DRAWN:	DATED:	CODE:	SIZE:	DRAWING NO:		REV:	
Chase Nachtmann	07/09/2013	USB	B			1.0	
CHECKED:	DATED:	SCALE: 1:1				SHEET: 1 of 1	
Donald Heer	07/16/2013						
QUALITY CONTROL:	DATED:						
RELEASED:	DATED:						

DRAWN:	DATED:
Chase Nachtmann	07/09/2013
CHECKED:	DATED:
Donald Heer	07/16/2013
QUALITY CONTROL:	DATED:
RELEASED:	DATED: