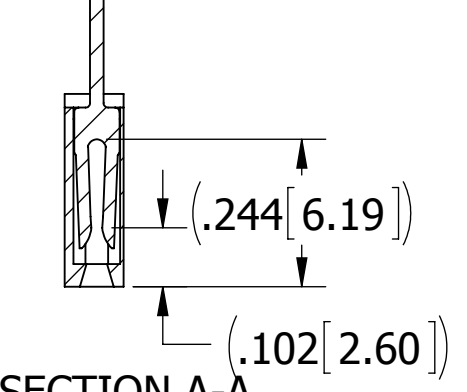
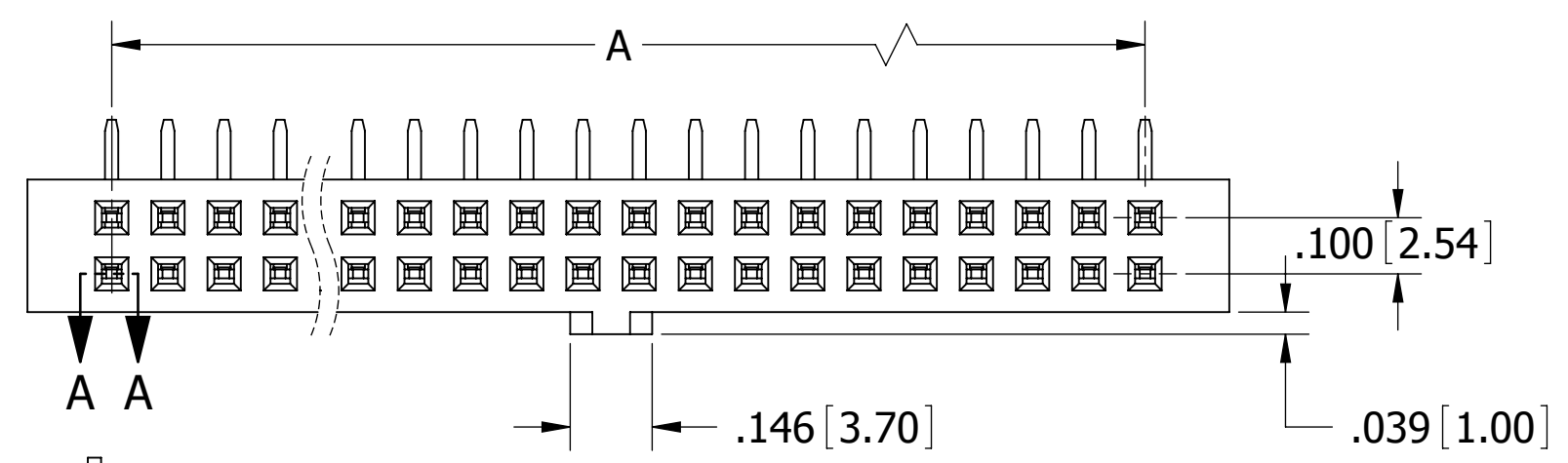
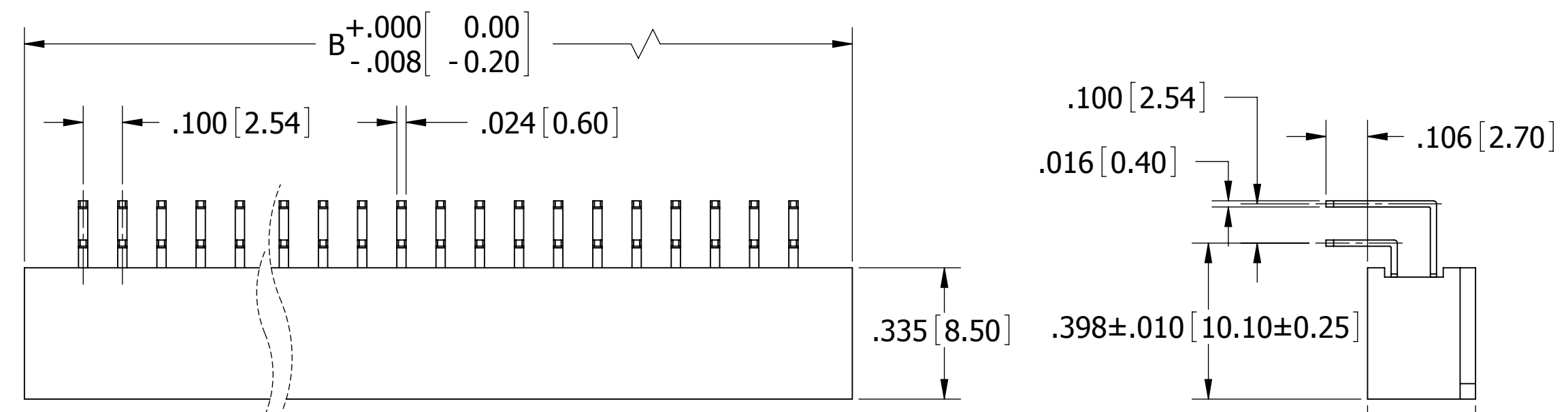


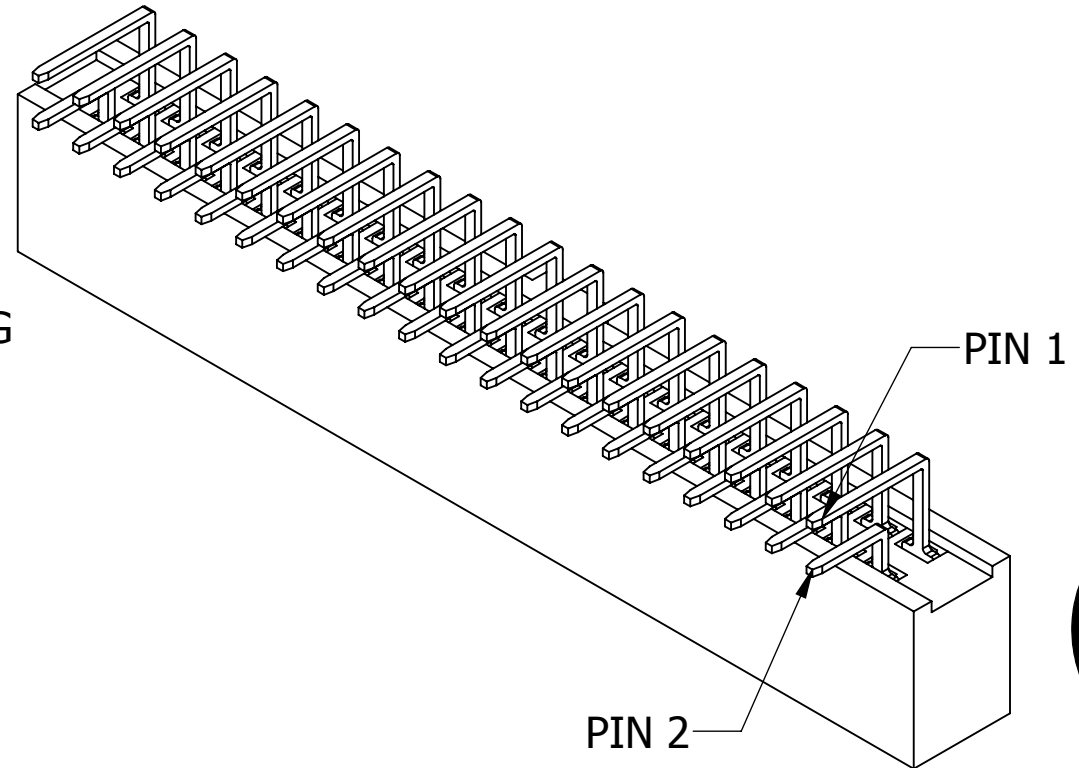
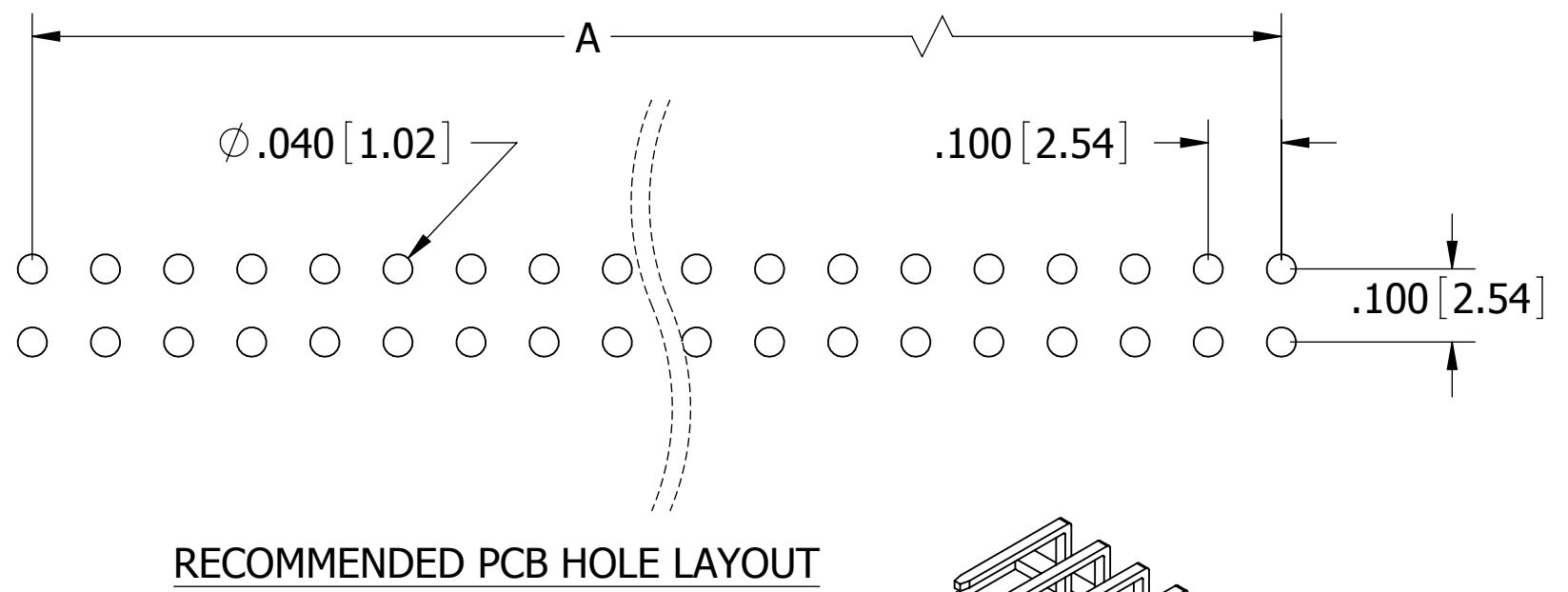
REVISIONS				
REV.	ECO. NO	DESCRIPTION	DATE	BY
E	2915	ADD 'N' MATERIAL OPTION & UPDATE NOTES	2/6/2014	NC
F	2835	UPGRADE INSULATOR MATERIAL NYLON 9T(WAS NYLON 6T)	04/07/2014	LH
G	3071	UPDATE TOLERANCE FOR 'B' DIMENSION	09/25/2014	LH



**PART NUMBER CODING**  
SFH11- C-D -RA-

- COLOR**  
BK = BLACK  
GY = GREY
- NUMBER OF POSITIONS**  
(CONTACTS PER ROW)
- PLATING**  
(.000030"~.000050" NICKEL UNDERPLATED)  
P = GOLD FLASH OVERALL  
E = .000100" PURE TIN, MATTE, OVERALL
- CONTACT MATERIAL**  
P = PHOSPHOR BRONZE  
B = BRASS
- INSULATOR MATERIAL**  
P = PBT  
PROCESSING TEMP = WAVE ONLY  
N = NYLON  
PROCESSING TEMP = 230°C MAX FOR 60 SEC  
(260°C MAX FOR 10 SEC)

PART NUMBER	POSITIONS/ CONTACTS	A		B	
		INCH	MM	INCH	MM
SFH11-__C-D03-RA-__	03/06	0.200	5.08	0.500	12.70
SFH11-__C-D04-RA-__	04/08	0.300	7.62	0.600	15.24
SFH11-__C-D05-RA-__	05/10	0.400	10.16	0.700	17.78
SFH11-__C-D06-RA-__	06/12	0.500	12.70	0.800	20.32
SFH11-__C-D07-RA-__	07/14	0.600	15.24	0.900	22.86
SFH11-__C-D08-RA-__	08/16	0.700	17.78	1.000	25.40
SFH11-__C-D10-RA-__	10/20	0.900	22.86	1.200	30.48
SFH11-__C-D12-RA-__	12/24	1.100	27.94	1.400	35.56
SFH11-__C-D13-RA-__	13/26	1.200	30.48	1.500	38.10
SFH11-__C-D15-RA-__	15/30	1.400	35.56	1.700	43.18
SFH11-__C-D17-RA-__	17/34	1.600	40.64	1.900	48.26
SFH11-__C-D20-RA-__	20/40	1.900	48.26	2.200	55.88
SFH11-__C-D25-RA-__	25/50	2.400	60.96	2.700	68.58
SFH11-__C-D30-RA-__	30/60	2.900	73.66	3.200	81.28
SFH11-__C-D32-RA-__	32/64	3.100	78.74	3.400	86.36



- NOTES:**
- INSULATOR MATERIAL: SEE PART NUMBER CODING
  - CONTACT MATERIAL: SEE PART NUMBER CODING
  - PLATING: SEE PART NUMBER CODING
  - CONTACT RESISTANCE: 20m OHMS MAX.
  - OPERATING TEMPERATURE: -40 °C TO +105 °C.
  - UL FLAMMABILITY RATING: 94V-0
  - CURRENT RATING: 3.0 AMPS
  - INSULATOR RESISTANCE: 5,000M OHMS MIN.
  - DIELECTRIC WITHSTANDING: 1,000 VAC
  - PROCESSING TEMP.: SEE PART NUMBER CODING
  - MATES WITH SBH11 SERIES
  - FOR PCB CONNECTOR



**CUSTOMER COPY**

UNLESS OTHERWISE SPECIFIED: DIMENSIONS ARE IN INCHES [MM]		DRAWN	DATE	NAME	
TOLERANCES:  ANGULAR:  DECIMALS .XX = ± .012 [.3] .XXX = ± .008 [.20] .XXXX = ± .0040 [.100]			11/3/2008	JH	
<small>THE INFORMATION HEREIN CONTAINS PROPRIETARY INFORMATION OF SULLINS ELECTRONICS AND IS NOT TO BE REPRODUCED, USED OR DISCLOSED TO OTHERS FOR ANY PURPOSE EXCEPT AS SPECIFICALLY AUTHORIZED IN WRITING BY AN OFFICER OF SULLINS ELECTRONICS.</small>					TITLE
					HEADER FEMALE, .100[2.54] CC, RA
					PART NUMBER
					SFH11-__C-D__-RA-__
SIZE	CAGE CODE	DWG. NO.		REV	
C	54453	C11161		G	
SCALE: 2:1				SHEET 1 OF 1	