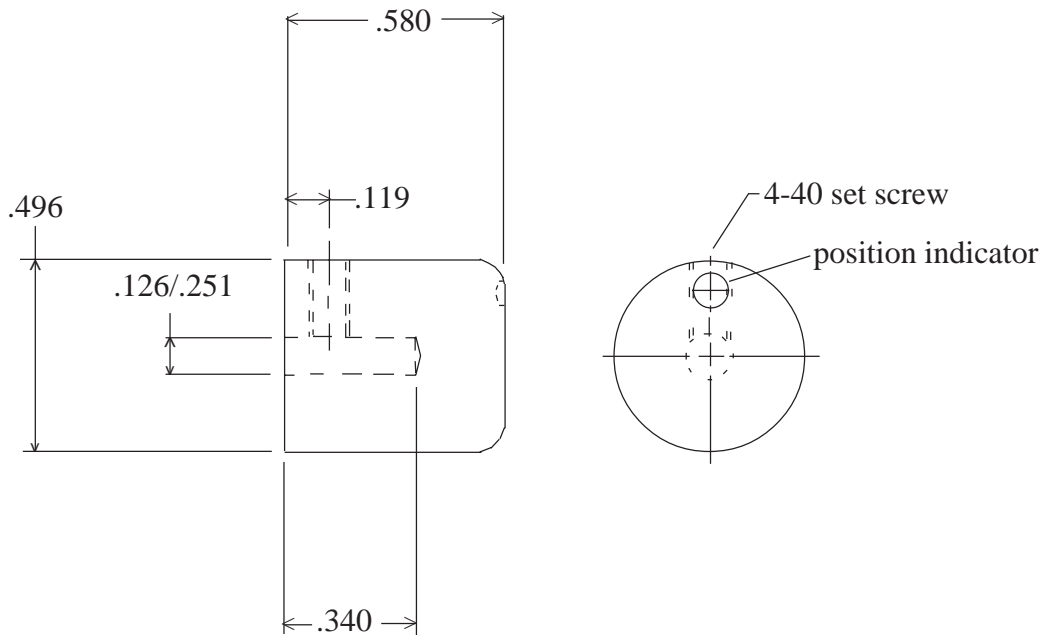


•Fits 1/8" and 1/4" shafts

•Black or silver

These high quality precision CNC machined instrument knobs come in two styles. The black knobs are black anodized with a contrasting white mark. The economical silver knobs are aluminum with a machined pointer mark. Both knobs use a hardened hex socket set screw to achieve superior gripping power compared to weaker slotted brass screws.



Ordering Information: mail@koford.com

Example: Part Number _ K 5 - 1/8 S

Shaft size 1/8 or 1/4

S=silver, B=black with white indicator mark