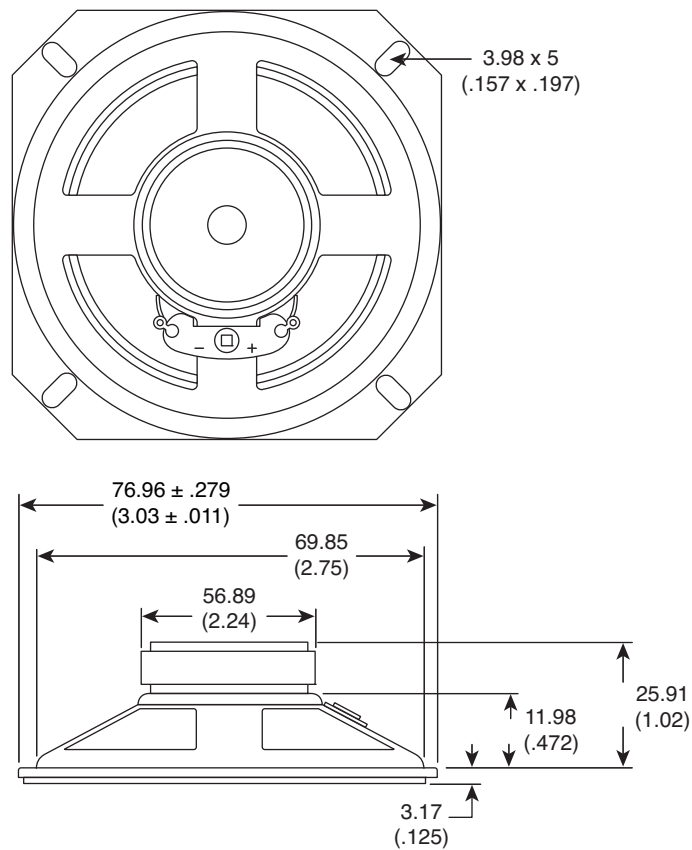


Part Number:

253-4130-RO



Speaker

KT-400522

Material specifications:

- Magnet: square ferrite

Note:

- RoHS Compliant

Electrical specifications:

- Impedance: $8\Omega \pm 15\%$
- Resonant frequency: $220\text{Hz} \pm 44\text{Hz}$
- Frequency response: $220\text{Hz} \pm 15\text{KHz}$
- Rated power: 0.8W
- Max power: 1.5W