

Lab 5 Prelab

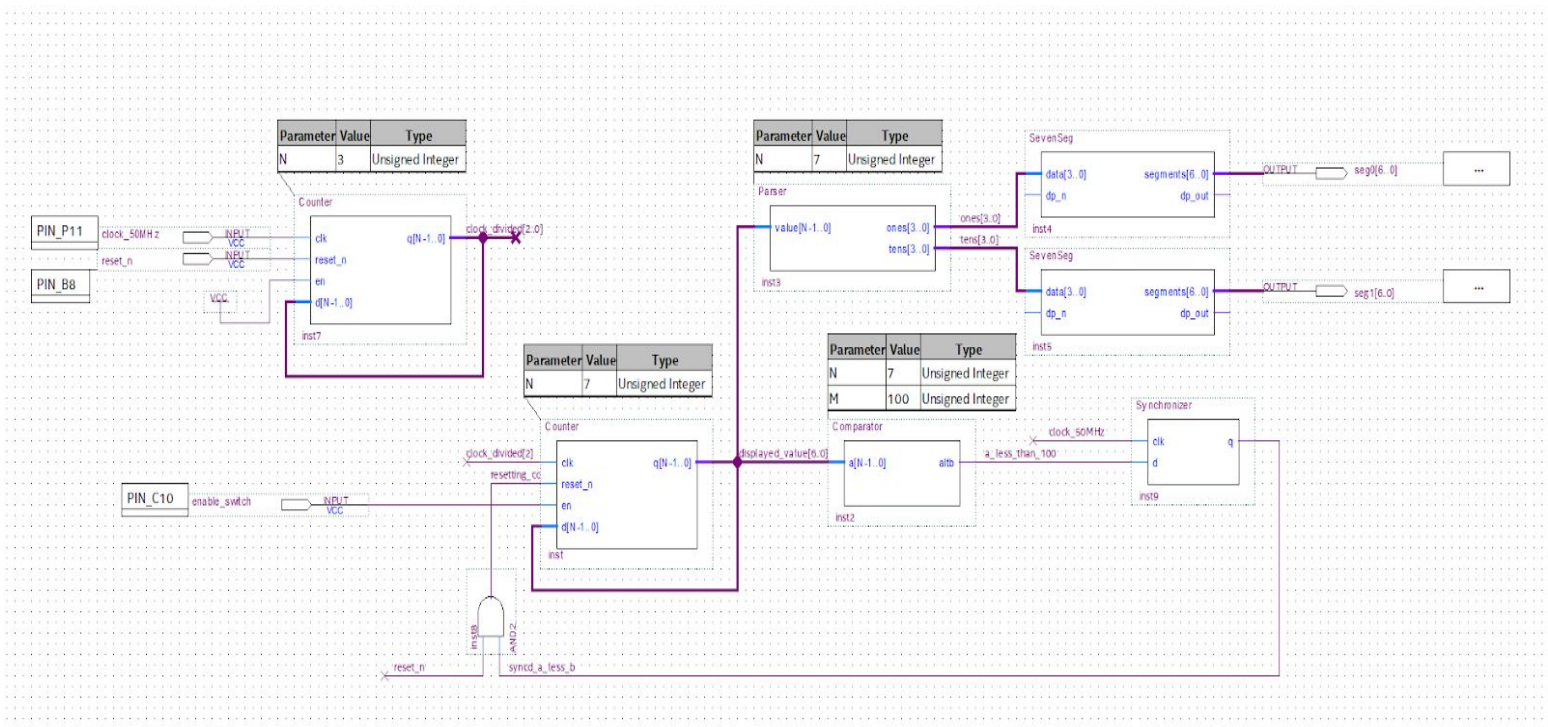
ECE 272

1. Find the following code examples from the textbook and copy them into your pre-lab
 - Counter - Example 5.5
 - Comparator - Example 5.3
 - Synchronizer - Example 4.20
 - Display Driver - Example 4.24

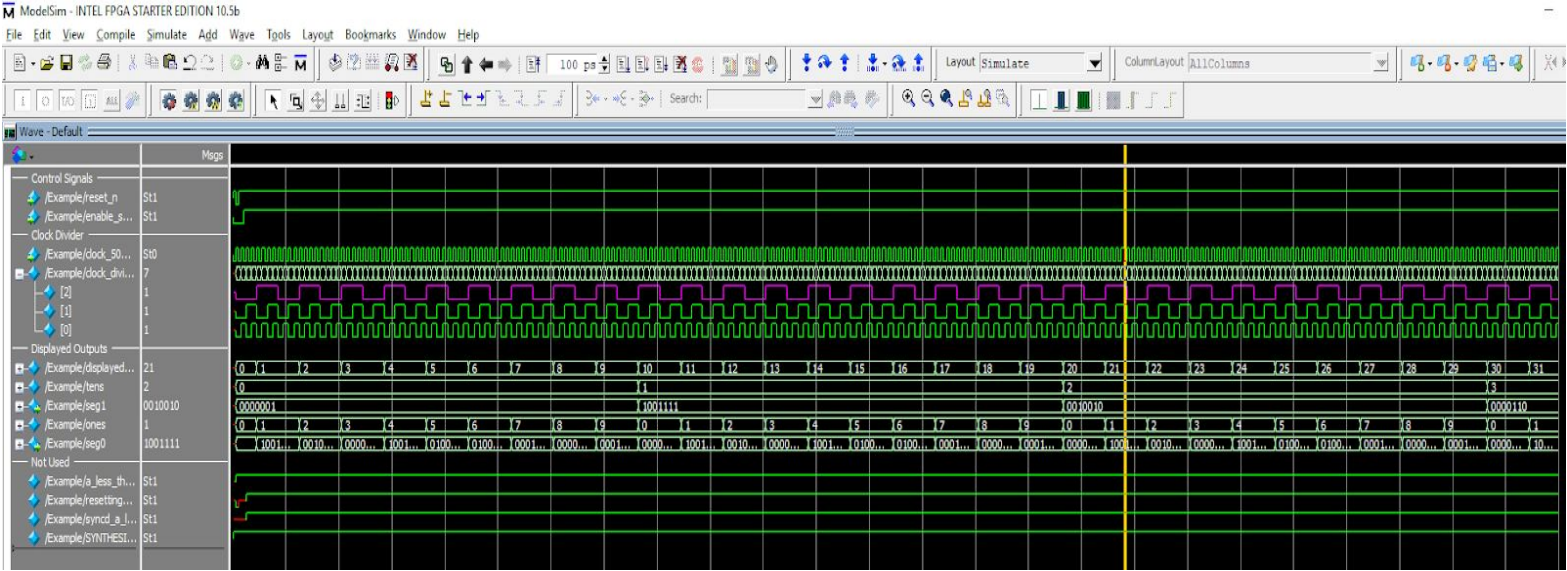
Which of these blocks are combinational logic and which are sequential?

2. Write a paragraph describing the operation of ExampleCounter.png
3. Review the ExampleSimulation.png What does the Parser do?

You may need to zoom in to read them.



ExampleCounter.png



ExampleSimulation.png